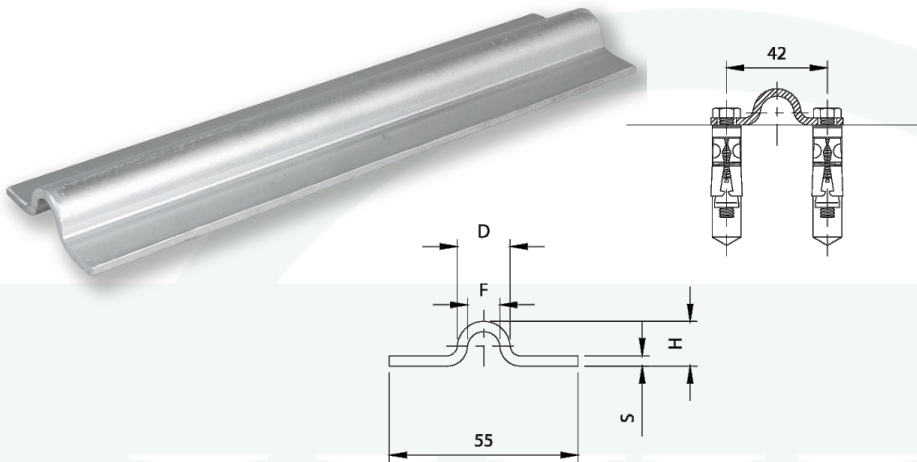


## KW-869369

## U Groove Bottom Rail for Sliding Gates

### Description:

Galvanized floor rails for sliding gates, drilled and undrilled, fixed at ground level by bolts or welding.



**FIXING:** To be fixed at ground level with special bolts (not supplied).

**MATERIAL:** Electrogalvanized Steel.

**PARTS SUBJECT TO WEAR:** Rail and wheel contact surfaces.

#### IMPORTANT NOTE:

The capacity is calculated for each single wheel, presuming that a door is fitted with two wheels located in such positions as to equally distribute the loads. The door can weigh up to double the capacity of the rail. The use of higher number of wheels does not guarantee a balanced distribution of the loads and in some cases could even cause an increase of load on a single wheel. For uniform distribution of the loads use wheels with rockers (Article: KW-839339).

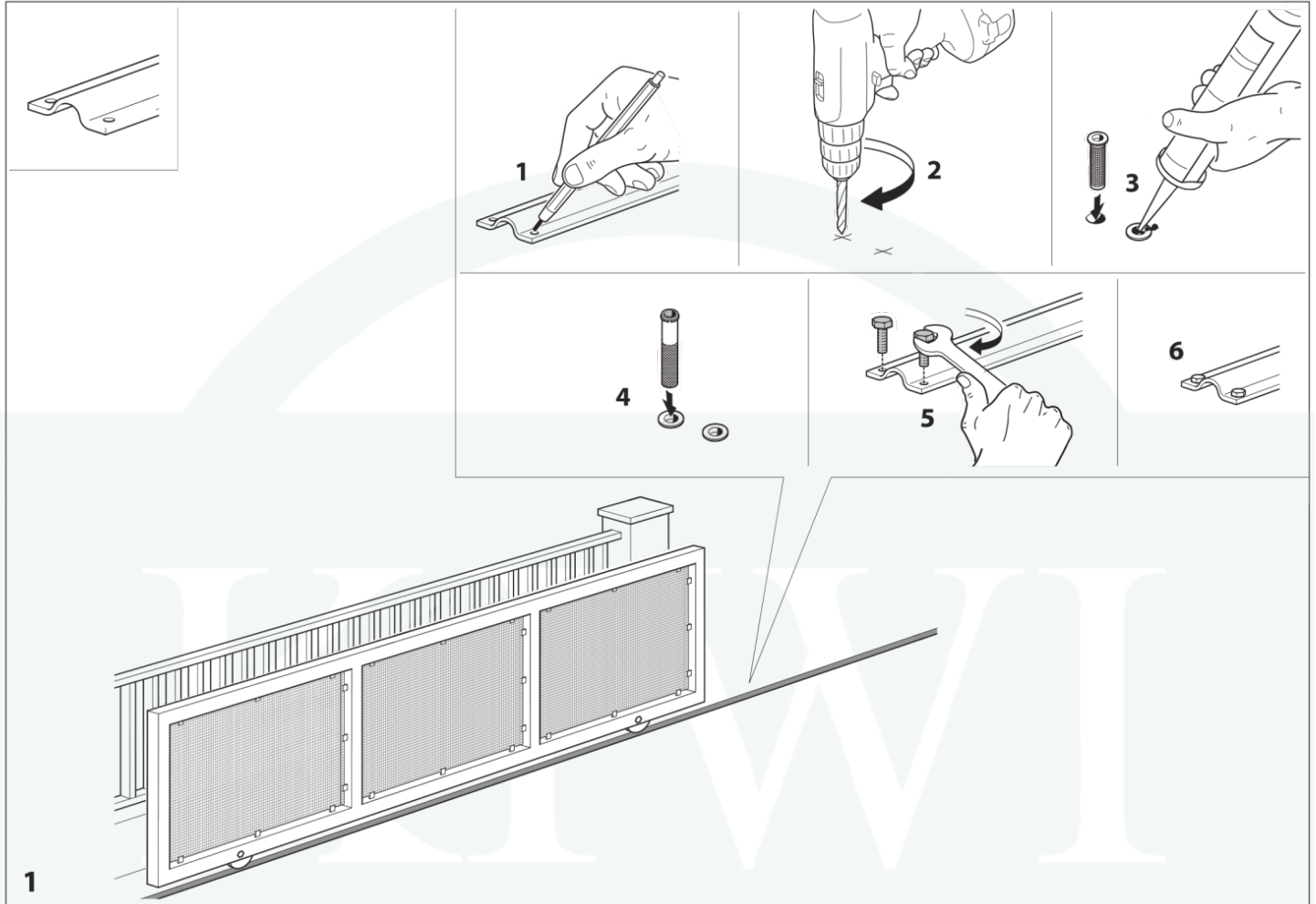
**MAINTENANCE:** To keep this article in optimum efficiency and safety is enough:

- 1) Ensure that the nuts are securely fastened after assembly. In any case, check the attachment periodically. Mount so that no vibrations or shocks occur.
- 2) If the supports have been subjected to impact caused by moving vehicles or other factors, make sure the article have remained intact, still properly fixed, and that its operation has not been compromised in any way.

Article No.	D (mm)	F (mm)	H (mm)	S (mm)	Length (mm)	Constant Load (KG)
-------------	-----------	-----------	-----------	-----------	----------------	--------------------------

KW-869369.3M.16	15	9.5	13	3	3000	1000
KW-869369.3M.20	19	12	16	3.5	3000	1500
KW-869369.6M.16	15	9.5	13	3	6000	1000
KW-869369.6M.20	19	12	16	3.5	6000	1500

Maintenance Frequency		
Low Use <25 Operations/Day	Average Use <50 Operations/Day	High Use >50 Operations/Day
2 Year*	2 Year*	2 Years*
Check for any deformation on body; Check fixing.		
*This scheme refers to a normal workplace (not marine or particularly aggressive environments).		
**For heavy-duty applications, make sure that you insert a steel round bar with a 12mm diameter inside the rail. This permits a capacity of 4000 kg per wheel and the passage of vehicles with full rubber wheels without problems. (Please make sure that the cement foundation the rail is laid on supports such loads).		



**IMPORTANT:** The manufacturer reserves the right to modify the characteristics of the article as required without notice. The manufacturer declines any liability for even partial modifications to the article, and the declared performance values are valid only if the installation procedures are carried out by qualified personnel.