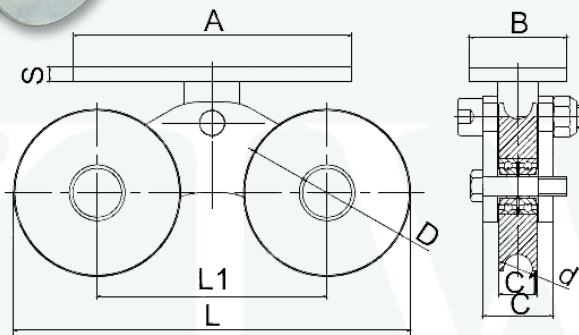


KW-839339

Heavy Duty Twin Wheels with Rocking Plate

Description:

Twin Wheels with Rocking Plate are essential bottom-support components for sliding gate systems. They are designed to bear the full weight of the gate while ensuring smooth and stable sliding motion. The "rocking plate" mechanism allows the wheels to self-adjust and align with minor ground irregularities, preventing derailment and reducing stress on the gate structure. This combination makes them ideal for heavy-duty gates where durability, stability, and long-term performance are critical.



FIXING: To be fixed at bottom of gate.

MATERIAL: Electrogalvanized Steel.

PARTS SUBJECT TO WEAR: Bearing, Wheel Groove.

FEATURES:

- Heavy load capacity
- Precision double bearings for smooth & noiseless rolling action
- Rocking plate adjustment compensates for ground or track imperfections
- Enhanced stability and load distribution
- Compatible with guide rails (KW-869369 Series)

Article No.	D mm	A mm	B mm	C mm	C1 mm	d mm	L mm	L1 mm	S mm	Load (KG)**
KW-839339.100	Ø98	165	70	50	28	20	243	145	8	1500
KW-839339.120	Ø118	200	70	50	28	20	285	165	10	2000
KW-839339.160	Ø158	250	80	60.5	30	20	365.5	210	10	2500
KW-839339.200	Ø198	300	80	60.5	30	20	455.5	260	10	3000

MAINTENANCE: To keep this article in optimum efficiency and safety is enough:

- 1) Ensure that the nuts are securely fastened after assembly. In any case, check the attachment periodically. Mount so that no vibrations or shocks occur.
- 2) If the supports have been subjected to impact caused by moving vehicles or other factors, make sure the article have remained intact, still properly fixed, and that its operation has not been compromised in any way.

Maintenance Frequency		
Low Use <25 Operations/Day	Average Use <50 Operations/Day	High Use >50 Operations/Day
1 Year*	1 Year*	6 Months*
Check wheel wear; Check fixing to upright.		
*This scheme refers to a normal workplace (not marine or particularly aggressive environments).		
**Above mentioned loading capacity is calculated on pair basis.		

IMPORTANT: The manufacturer reserves the right to modify the characteristics of the article as required without notice. The manufacturer declines any liability for even partial modifications to the article, and the declared performance values are valid only if the installation procedures are carried out by qualified personnel.

KW-839339

Heavy Duty Twin Wheels with Rocking Plate

Wheel life dependent on load

