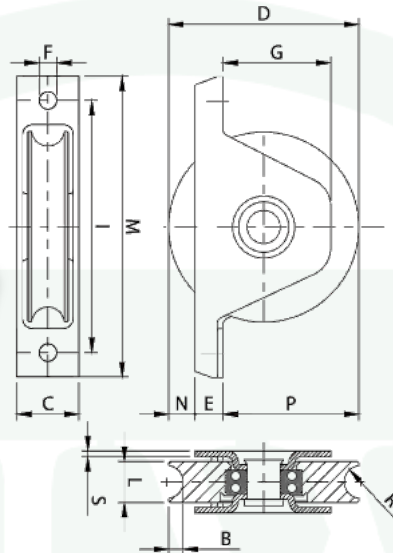
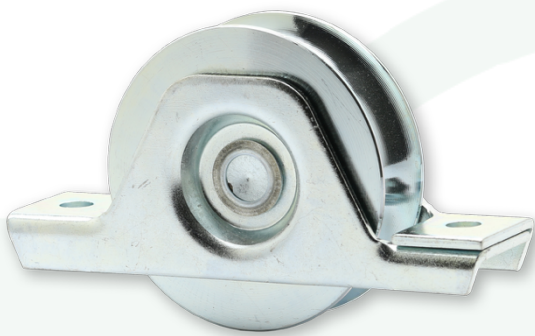


KW-837337DB

Heavy Duty Half Support Wheel with U Groove

Description:

Turned Wheels in C40 Steel, double ball bearing with half support bracket and water-tight shield. Fastening to the gate by means of M9 bolt.



FIXING: To be fixed at bottom of gate.

MATERIAL: Electrogalvanized Steel.

PARTS SUBJECT TO WEAR: Bearing, Wheel Groove.

FEATURES:

- Precision double ball bearings for long-lasting performance
- Smooth & noiseless rolling action
- High load capacity with minimal friction
- Corrosion-resistant finish (Zinc / Galvanized)
- Compatible with guide rails (KW-869369 U-Groove Rail)

Article No.	B mm	C mm	D mm	E mm	F mm	G mm	I mm	L mm	M mm	N mm	P mm	R mm	S mm	Load (KG)**
KW-837337DB.60.20	8.5	36	Ø58	17	9	24	96	25	120	10	32	10.3	3	150
KW-837337DB.80.20	9.5	36	Ø78	17	9	38	110	24	135	14	50	10.3	3	350
KW-837337DB.100.20	9.5	36	Ø98	17	9	55.5	130	24	153	13	70	10.3	3	450
KW-837337DB.120.20	9.5	37	Ø117	17	9	65	150	25	181	16.5	85	10.3	3	700
KW-837337DB.140.20	9.5	40	Ø137	17	11	77	175	25	205	15	105	10.5	3	800

MAINTENANCE: To keep this article in optimum efficiency and safety is enough:

- 1) Ensure that the nuts are securely fastened after assembly. In any case, check the attachment periodically. Mount so that no vibrations or shocks occur.
- 2) If the supports have been subjected to impact caused by moving vehicles or other factors, make sure the article have remained intact, still properly fixed, and that its operation has not been compromised in any way.

Maintenance Frequency		
Low Use <25 Operations/Day 1 Year*	Average Use <50 Operations/Day 1 Year*	High Use >50 Operations/Day 6 Months*
Check wheel wear; Check fixing to upright.		
*This scheme refers to a normal workplace (not marine or particularly aggressive environments).		
**Above mentioned loading capacity is calculated on pair basis.		

IMPORTANT: The manufacturer reserves the right to modify the characteristics of the article as required without notice. The manufacturer declines any liability for even partial modifications to the article, and the declared performance values are valid only if the installation procedures are carried out by qualified personnel.

KW-837337DB

Heavy Duty Half Support Wheel with U Groove

Wheel life dependent on load

