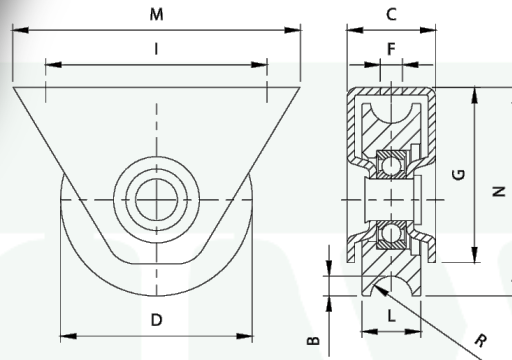


KW-827327SB

Heavy Duty Full Support Wheel with U Groove

Description:

Turned Wheels in C40 Steel, single ball bearing with full support bracket and water-tight shield. Fastening to the gate by means of M9 bolt.



FIXING: To be fixed at bottom of gate.

MATERIAL: Electrogalvanized Steel.

PARTS SUBJECT TO WEAR: Bearing, Wheel Groove.

FEATURES:

- Precision ball bearings for long-lasting performance
- Smooth & noiseless rolling action
- High load capacity with minimal friction
- Corrosion-resistant finish (Zinc / Galvanized)
- Compatible with guide rails (KW-869369 U-Groove Rail)

Article No.	B mm	C mm	D mm	F mm	G mm	I mm	L mm	M mm	N mm	R mm	Load (KG)**
KW-827327SB.30.6	3	17	Ø30	5.5	30	30.5	10	45	35	3.2	80
KW-827327SB.50.12	6	25	Ø50	9	50	47	17	75	57	6.2	180
KW-827327SB.60.16	4	27	Ø58	9	55	55	17	85	65	8.3	250
KW-827327SB.80.16	7.5	36	Ø78	9	71	90	21	121	82	8.3	350

Maintenance Frequency		
Low Use <25 Operations/Day 1 Year*	Average Use <50 Operations/Day 1 Year*	High Use >50 Operations/Day 6 Months*
Check wheel wear; Check fixing to upright.		
*This scheme refers to a normal workplace (not marine or particularly aggressive environments).		
**Above mentioned loading capacity is calculated on pair basis.		

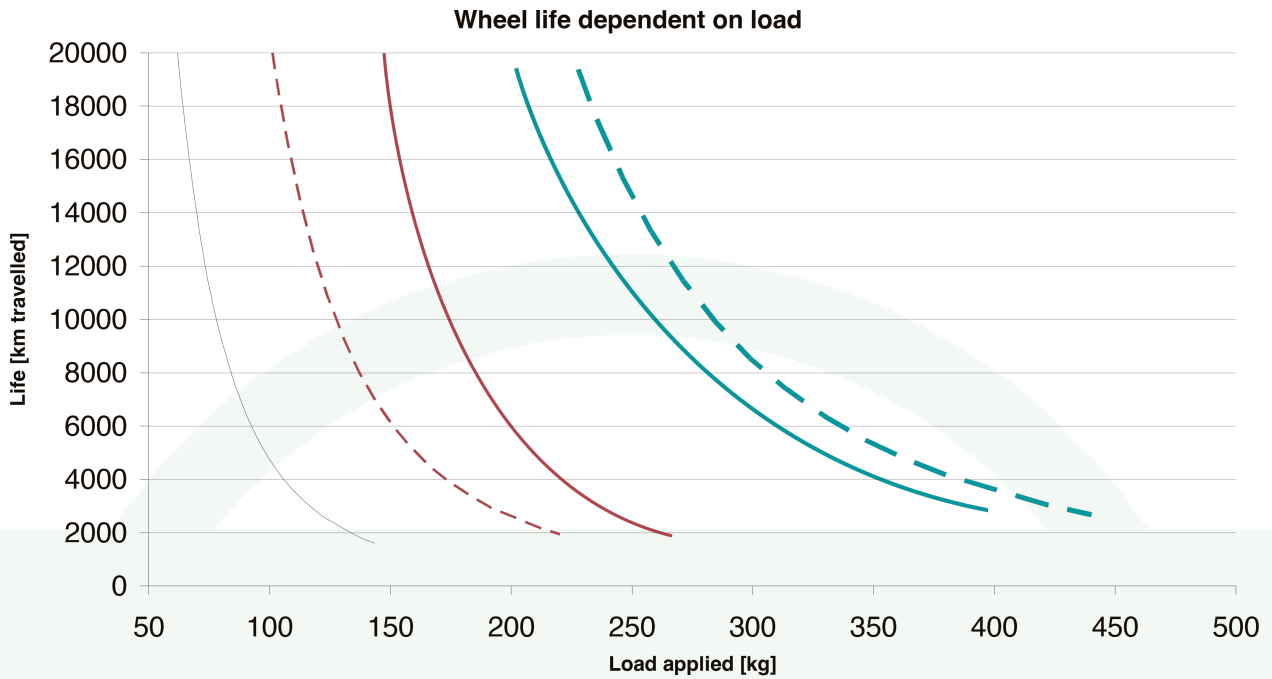
MAINTENANCE: To keep this article in optimum efficiency and safety is enough:

- 1) Ensure that the nuts are securely fastened after assembly. In any case, check the attachment periodically. Mount so that no vibrations or shocks occur.
- 2) If the supports have been subjected to impact caused by moving vehicles or other factors, make sure the article have remained intact, still properly fixed, and that its operation has not been compromised in any way.

IMPORTANT: The manufacturer reserves the right to modify the characteristics of the article as required without notice. The manufacturer declines any liability for even partial modifications to the article, and the declared performance values are valid only if the installation procedures are carried out by qualified personnel.

KW-827327SB

Heavy Duty full Support Wheel with U Groove



KW-827327SB.60.16
KW-827327DB.50.16
KW-827327V.60

--- KW-827327SB.80.16
--- KW-827327V.80

— KW-827327V.100

— KW-827327DB.80.20

--- KW-827327DB.100.20

