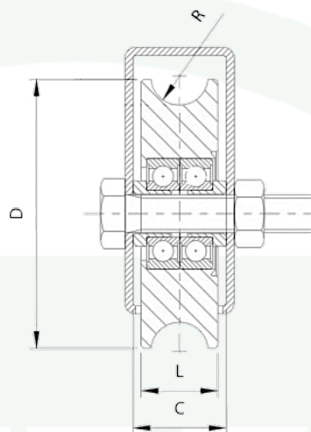
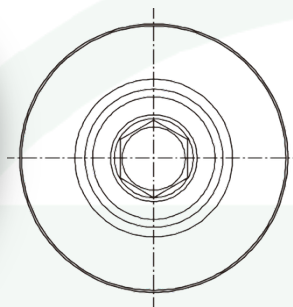


KW-815315

Heavy Duty Double Bearing Wheel with U Groove

Description:

Turned Wheels in C40 Steel, double ball bearing with water-tight shield. Fastening to the gate by means of an axle, washer, and nut (included in pack)



FIXING: To be fixed at bottom of gate with provided bolt and nut.

MATERIAL: Electrogalvanized Steel.

PARTS SUBJECT TO WEAR: Bearing, Wheel Groove.

FEATURES:

- Precision double ball bearings for long-lasting performance
- Smooth & noiseless rolling action
- High load capacity with minimal friction
- Corrosion-resistant finish (Zinc / Galvanized)
- Compatible with guide rails (KW-869369 U-Groove Rail)

MAINTENANCE: To keep this article in optimum efficiency and safety is enough:

- 1) Ensure that the nuts are securely fastened after assembly. In any case, check the attachment periodically. Mount so that no vibrations or shocks occur.
- 2) If the supports have been subjected to impact caused by moving vehicles or other factors, make sure the article have remained intact, still properly fixed, and that its operation has not been compromised in any way.

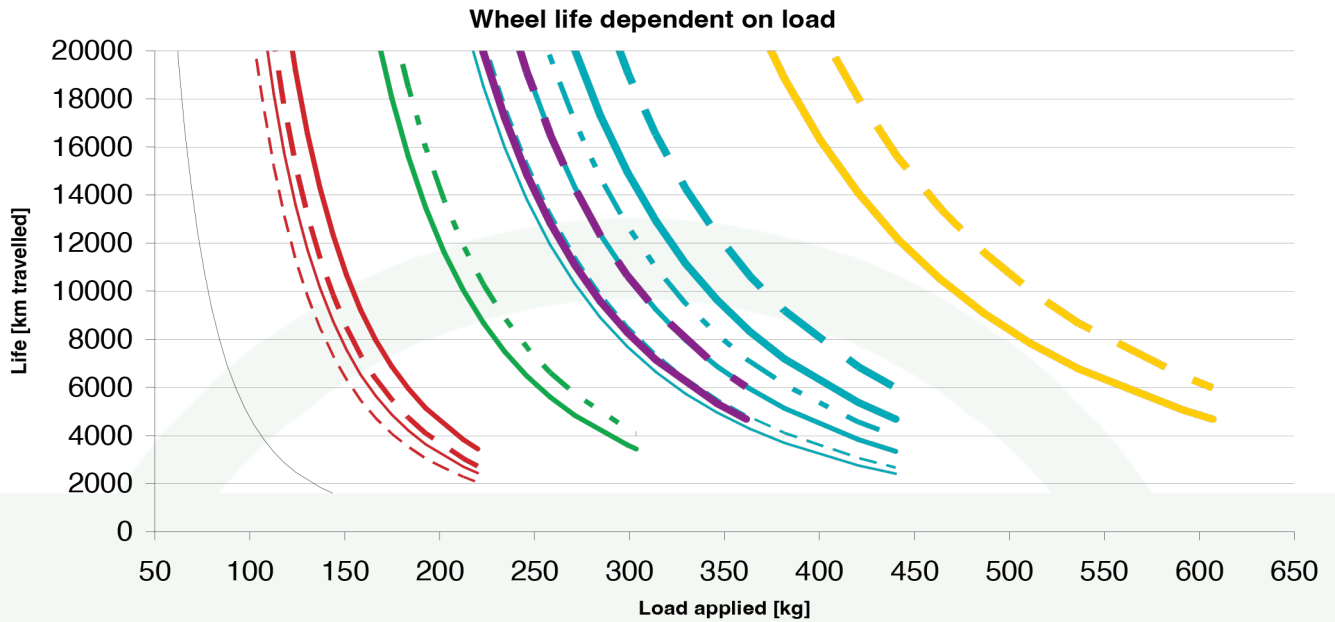
IMPORTANT: The manufacturer reserves the right to modify the characteristics of the article as required without notice. The manufacturer declines any liability for even partial modifications to the article, and the declared performance values are valid only if the installation procedures are carried out by qualified personnel.

Article No.	C (mm)	D (mm)	L (mm)	R (mm)	Load (KG)**	Bolt (mm)
KW-815315.60.20	35	Ø58	25	10.3	200	M10*55
KW-815315.80.20	31	Ø78	25	10.3	350	M10*55
KW-815315.100.20	42	Ø98	30	10.3	500	M14*70
KW-815315.100.28	43	Ø98	34	14.3	550	M14*70
KW-815315.110.20	30	Ø108	25	10.3	450	M14*70
KW-815315.120.20	42	Ø118	30	10.3	650	M14*70
KW-815315.140.20	42	Ø138	30	10.3	750	M16*70
KW-815315.160.20	42	Ø158	30	10.3	850	M16*70
KW-815315.180.20	42	Ø178	30	10.3	950	M16*70
KW-815315.200.20	42	Ø198	30	10.3	1100	M16*70
KW-815315.250.22	72	Ø247	48	11.5	1500	M24*120

Maintenance Frequency		
Low Use <25 Operations/Day	Average Use <50 Operations/Day	High Use >50 Operations/Day
1 Year*	1 Year*	6 Months*
Check wheel wear; Check fixing to upright.		
*This scheme refers to a normal workplace (not marine or particularly aggressive environments).		
**Above mentioned loading capacity is calculated on pair basis.		

KW-815315

Heavy Duty Double Bearing Wheel with U Groove



- | | | |
|--|---|---|
| — KW-810310.60.16 - KW-800300V.60 | - - - KW-810310.80.16 - KW-800300V.80 | — KW-810310.90.16 - KW-810310.90.20 - KW-800300V.90 |
| — KW-815315.90.16 - KW-815315.90.20
KW-805305V.90 | - - - KW-810310.100.16 - KW-810310.100.20
KW-800300V.100 | - - - KW-815315.100.16 - KW-815315.100.20
KW-805305V.100 |
| — KW-810310.120.16 - KW-800300V.120 | — KW-810310.120.16.3 (3mm thick groove) | — KW-815315.120.20 - KW-805305V.120 |
| - - - KW-810310.140.16 - KW-800300V.140 | - - - KW-815315.140.20 - KW-805305V.140 | — KW-810310.160.16 - KW-800300V.160 |
| — KW-815315.160.20 - KW-805305V.160 | — KW-815315.160.20.3 (3mm thick groove) | — KW-800300V.200 |
| — KW-805305V.200 | — KW-815315.200.20 - KW-805305V.200.3 (3mm thick groove) | |

