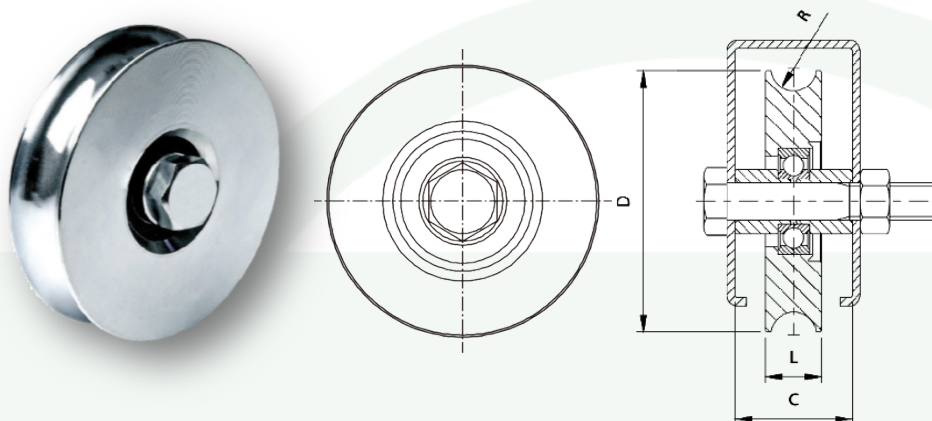


KW-810310

Heavy Duty Wheel with U Groove

Description:

Turned Wheels in C40 Steel, single ball bearing with water-tight shield. Fastening to the gate by means of an axle, washer, and nut (included in pack)



FIXING: To be fixed at bottom of gate with provided bolt and nut.

MATERIAL: Electrogalvanized Steel.

PARTS SUBJECT TO WEAR: Bearing, Wheel Groove.

FEATURES:

- Precision ball bearings for long-lasting performance
- Smooth & noiseless rolling action
- High load capacity with minimal friction
- Corrosion-resistant finish (Zinc / Galvanized)
- Compatible with guide rails (KW-869369 U-Groove Rail)

MAINTENANCE: To keep this article in optimum efficiency and safety is enough:

- 1) Ensure that the nuts are securely fastened after assembly. In any case, check the attachment periodically. Mount so that no vibrations or shocks occur.
- 2) If the supports have been subjected to impact caused by moving vehicles or other factors, make sure the article have remained intact, still properly fixed, and that its operation has not been compromised in any way.

IMPORTANT: The manufacturer reserves the right to modify the characteristics of the article as required without notice. The manufacturer declines any liability for even partial modifications to the article, and the declared performance values are valid only if the installation procedures are carried out by qualified personnel.

Sliding Door Accessories

© Copyright KIWI Architectural Hardware
All Rights Reserved

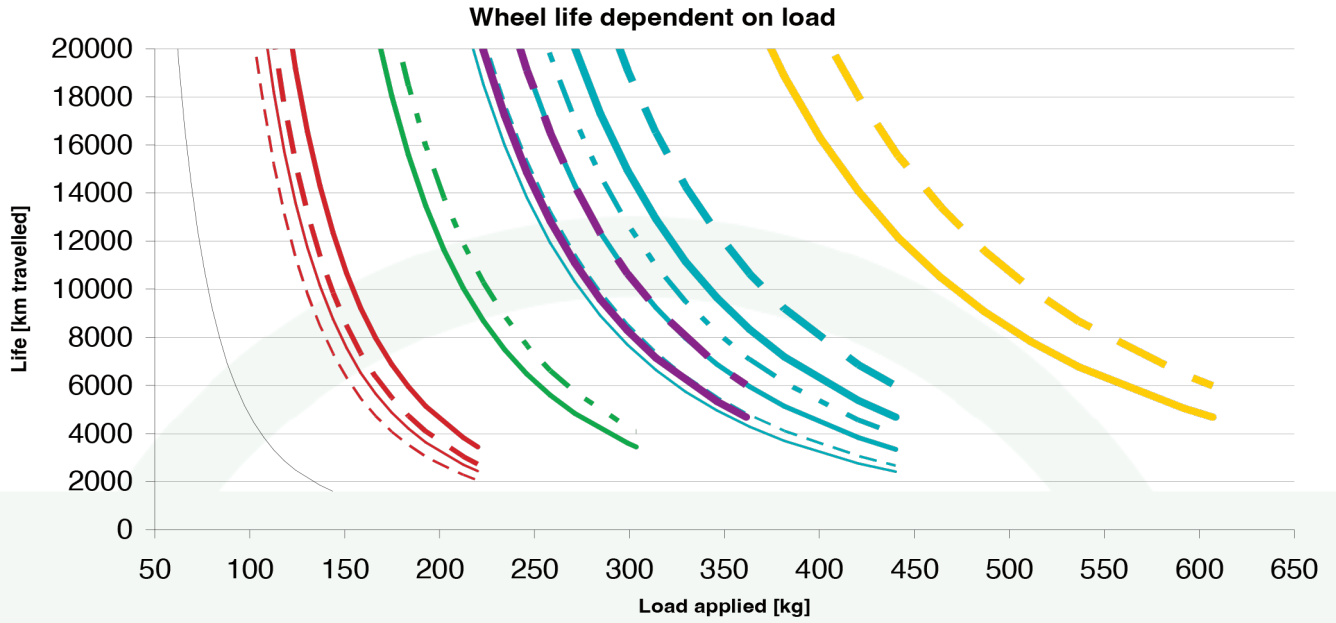
Article No.	C (mm)	D (mm)	L (mm)	R (mm)	Load (KG)**	Bolt (mm)
-------------	--------	--------	--------	--------	-------------	-----------

KW-810310.30.6	13	Ø30	10	3	70	M6*30
KW-810310.40.10	24	Ø38	12	5	100	M8*40
KW-810310.50.12	24	Ø50	15	6	120	M8*40
KW-810310.50.16	24	Ø50	20	8	150	M10*55
KW-810310.60.16	24	Ø58	17	8	200	M10*55
KW-810310.80.16	28	Ø78	20	8	300	M14*70
KW-810310.80.20	28	Ø78	24	10.3	300	M14*70
KW-810310.100.16	30	Ø98	22	8	350	M14*70
KW-810310.100.20	30	Ø98	25	10.3	400	M14*70

Maintenance Frequency		
Low Use <25 Operations/Day	Average Use <50 Operations/Day	High Use >50 Operations/Day
1 Year*	1 Year*	6 Months*
Check wheel wear; Check fixing to upright.		
*This scheme refers to a normal workplace (not marine or particularly aggressive environments).		
**Above mentioned loading capacity is calculated on pair basis.		

KW-810310

Heavy Duty Wheel with U Groove



- | | | |
|--|---|---|
| — KW-810310.60.16 - KW-800300V.60 | - - - KW-810310.80.16 - KW-800300V.80 | — KW-810310.90.16 - KW-810310.90.20 - KW-800300V.90 |
| — KW-815315.90.16 - KW-815315.90.20
KW-805305V.90 | - - - KW-810310.100.16 - KW-810310.100.20
KW-800300V.100 | - - - KW-815315.100.16 - KW-815315.100.20
KW-805305V.100 |
| — KW-810310.120.16 - KW-800300V.120 | — KW-810310.120.16.3 (3mm thick groove) | — KW-815315.120.20 - KW-805305V.120 |
| - - - KW-810310.140.16 - KW-800300V.140 | - - - KW-815315.140.20 - KW-805305V.140 | — KW-810310.160.16 - KW-800300V.160 |
| — KW-815315.160.20 - KW-805305V.160 | — KW-815315.160.20.3 (3mm thick groove) | — KW-800300V.200 |
| — KW-805305V.200 | — KW-815315.200.20 - KW-805305V.200.3 (3mm thick groove) | |

