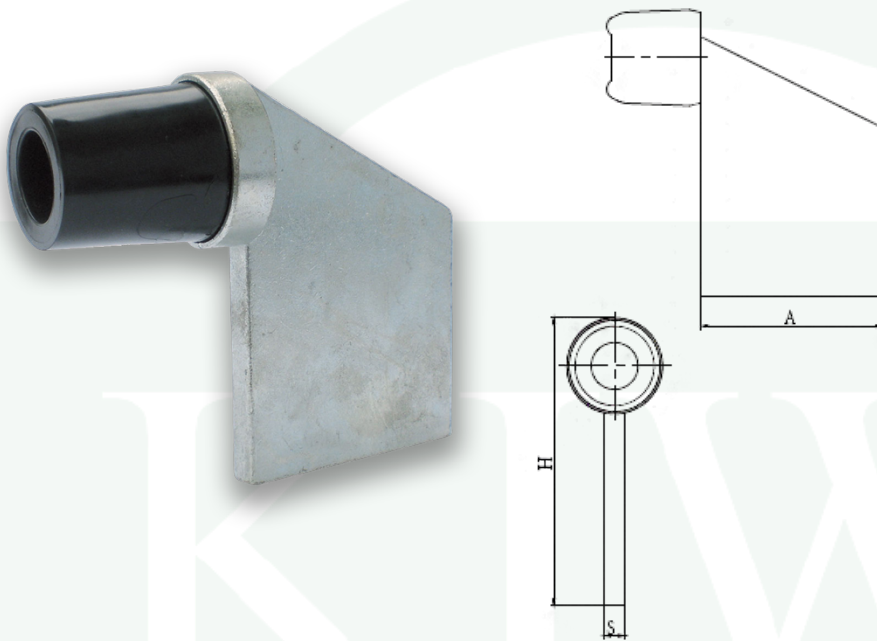


KW-44120

Bottom Stopper for Sliding Gates

Description:

A Bottom Stopper is a crucial safety and control component of sliding gate systems. Installed at the end of the gate's travel path, it ensures that the gate comes to a secure stop, preventing derailment, over-travel, and damage to the gate or surrounding structures. Designed for both residential and heavy-duty gates, bottom stoppers provide reliable protection, long service life, and smoother operation of the entire system.



FIXING: To be fixed to bottom rail by welding.

MATERIAL: Electrogalvanized Steel body, rubber block.

PARTS SUBJECT TO WEAR: Rubber block.

FEATURES:

- Heavy Duty rubber buffer block to reduce shocks and mechanical stress.
- Rubber cap prevents metal-to-metal contact, promoting noise reduction.
- Pre-drilled base plate for easy & secure bolt-on installation at the rail end.
- Corrosion-resistant finish (Galvanized)
- Compatible with U-Groove, V-Groove, and flat-bottom sliding gate mechanisms.

Article No.	A (mm)	H (mm)	S (mm)	Load (KG)**
KW-44120.AA	50	95	8	2000
KW-44120.AB	70	110	8	2000

Maintenance Frequency				
Private Home	Business	Warehouse	Condominium < 20 Units	Condominium > 20 Units
1 Year*	1 Year*	1 Year*	6 Months*	6 Months*
Check the rubber cap. Check for any deformation on striker. Check fixing.				
*This scheme refers to a normal workplace (not marine or particularly aggressive environments).				
**The loading capacity is calculated on basis of automatic operation of the gate using automatic remote control operator.				

MAINTENANCE:

- 1) Ensure that the nuts are securely fastened after assembly. In any case, check the attachment periodically. Mount so that no vibrations or shocks occur.
- 2) If the supports have been subjected to impact caused by moving vehicles or other factors, make sure the article have remained intact, still properly fixed, and that its operation has not been compromised in any way.

IMPORTANT: The manufacturer reserves the right to modify the characteristics of the article as required without notice. The manufacturer declines any liability for even partial modifications to the article, and the declared performance values are valid only if the installation procedures are carried out by qualified personnel.

Sustainable impact

