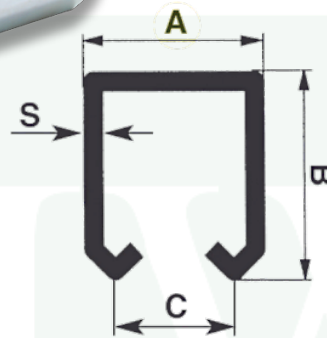


KW-5339

Top Rail for Hanging Gates

Description:

The Top Rail for Hanging Gates is a precision-engineered guiding channel designed to support and control the movement of sliding gates from the upper side. It forms the primary track along which the gate travels, ensuring smooth, stable, and safe operation. Ideal in locations where bottom tracks are unsuitable due to uneven surfaces, slopes, or the need for unobstructed floor clearance.



FIXING: To be fixed at top of gate with support brackets.

MATERIAL: Electrogalvanized Steel.

PARTS SUBJECT TO WEAR: Inside bottom edge surface.

FEATURES:

- Internal running channel is precisely dimensioned to accommodate top trolleys, reducing strain on bearings.
- Suited for manual & automated sliding systems.
- Smooth & noiseless rolling action
- Corrosion-resistant finish (Zinc / Galvanized)
- Compatible with top trolleys (KW-5330 / KW-5331 Top Rail Series)

MAINTENANCE: To keep this article in optimum efficiency and safety is enough:

- 1) Ensure that the nuts are securely fastened after assembly. In any case, check the attachment periodically. Mount so that no vibrations or shocks occur.
- 2) If the supports have been subjected to impact caused by moving vehicles or other factors, make sure the article have remained intact, still properly fixed, and that its operation has not been compromised in any way.

Article No.	A (mm)	B (mm)	C (mm)	S (mm)	Length (mm)	Load (KG)**
KW-5339/P/2000	35	32	20	1.5	2000	200
KW-5339/P/4000	35	32	20	1.5	4000	300
KW-5339/N/5850	50	46	29	2	5850	800
KW-5339/M/6000	43	53	22	2.5	6000	950
KW-5339/L/5850	60	67	34	2	5850	1200
KW-5339/L/H/5850	60	67	31	3	5850	1500

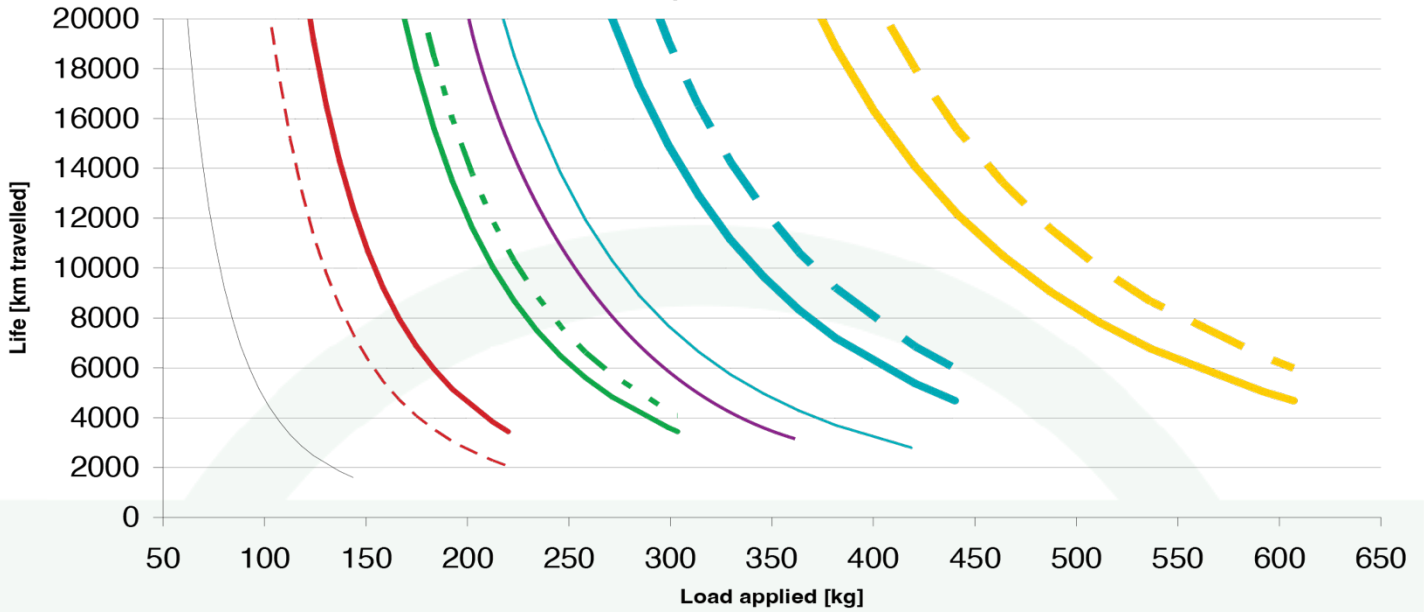
Maintenance Frequency		
Low Use <25 Operations/Day	Average Use <50 Operations/Day	High Use >50 Operations/Day
1 Year*	1 Year*	6 Months*
Clean the inside of bottom edges of monorail. Check for any deformations on body.		
*This scheme refers to a normal workplace (not marine or particularly aggressive environments).		
**Above mentioned loading capacity is calculated on basis of rail support at maximum 600mm interval.		

IMPORTANT: The manufacturer reserves the right to modify the characteristics of the article as required without notice. The manufacturer declines any liability for even partial modifications to the article, and the declared performance values are valid only if the installation procedures are carried out by qualified personnel.

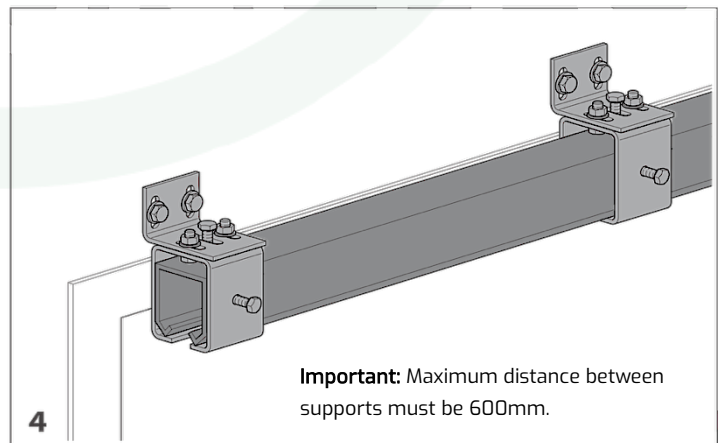
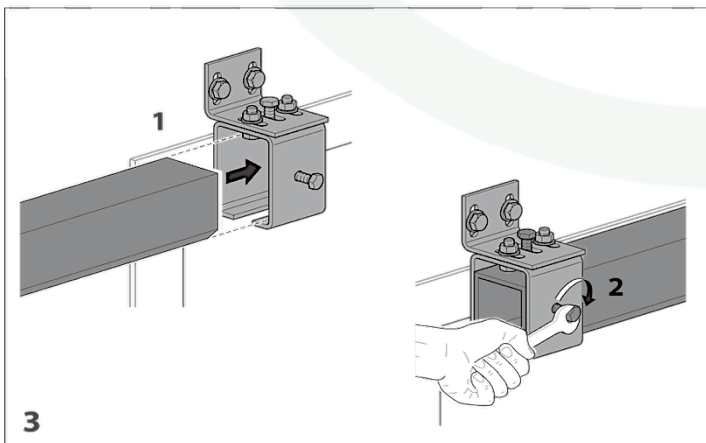
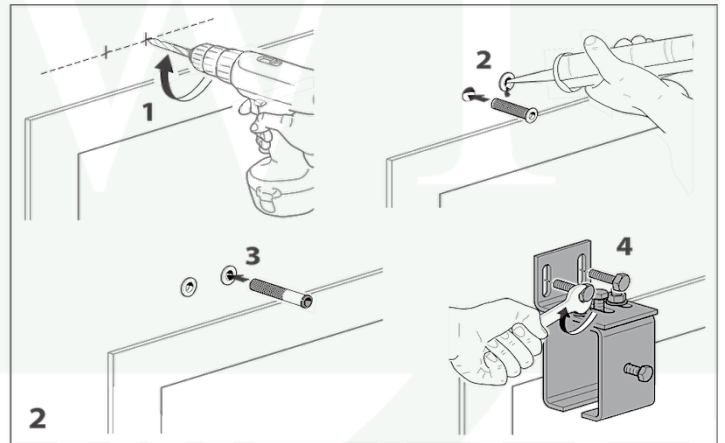
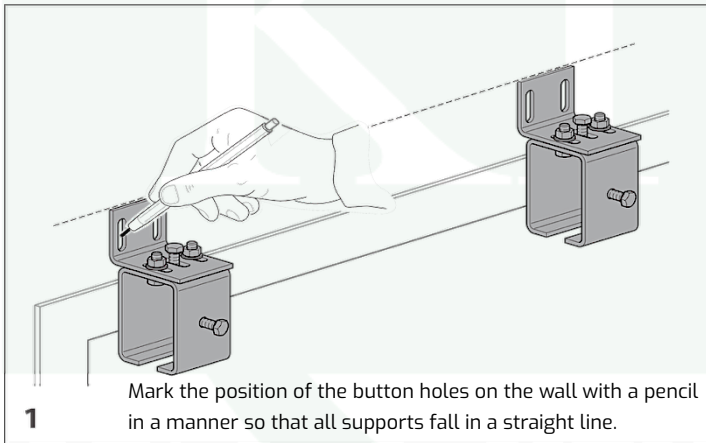
KW-5339

Top Rail for Hanging Gates

Wheel life dependent on load



- KW-5330/P
KW-5330/ST/P
- KW-5330/ST/M
- KW-5330/ST/L
- KW-5331/ST/M
- - - KW-5331/P
KW-5331/ST/P
- KW-5330/L
- KW-5331/L
- KW-5330/N
- KW-5330/ST/L
KW-5331/N
- KW-5331/ST/L
- KW-5330/ST/N
KW-5330/M
- KW-5331/ST/N
KW-5331/M



Important: Maximum distance between supports must be 600mm.