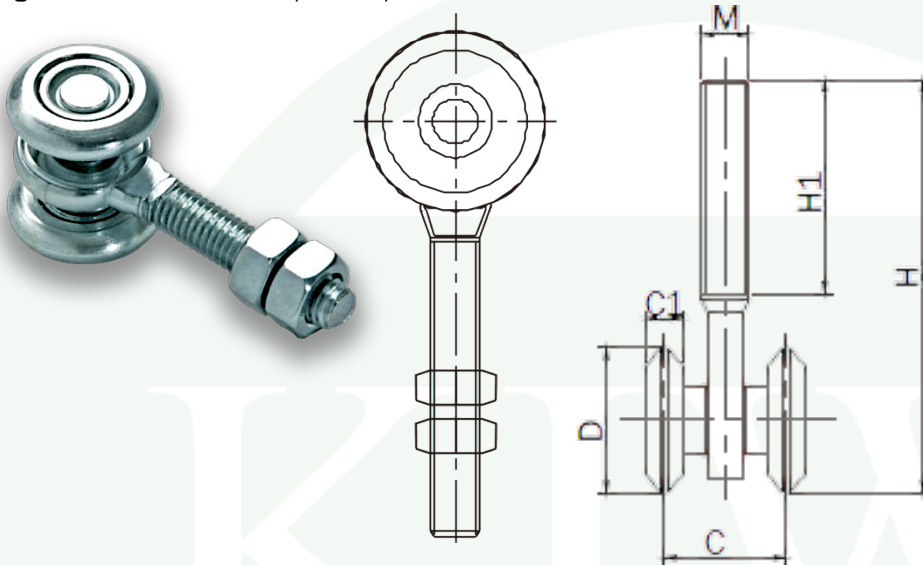


## KW-5330

## 2-Wheel Top Trolley for Hanging Gates

### Description:

A 2-wheel top trolley for hanging gates is a roller unit with two hardened steel wheels reinforcing ball bearing housing. It runs inside a steel overhead track and connects to the gate's top beam / wall beam via a ceiling / wall bracket respectively. These trolleys distribute the door's weight, making it possible for massive gates to slide smoothly, safely, and without floor obstructions.



**FIXING:** To be fixed at top of gate with fixing plate / nut.

**MATERIAL:** Electrogalvanized Steel.

**PARTS SUBJECT TO WEAR:** Bearing, Wheel surface.

**FEATURES:**

- Fabricated from forged steel for strength
- Steel wheels with precision ball bearings for heavy load
- Smooth & noiseless rolling action
- Corrosion-resistant finish (Zinc / Galvanized)
- Compatible with top rails (KW-5339 Top Rail Series)

**MAINTENANCE:** To keep this article in optimum efficiency and safety is enough:

- 1) Ensure that the nuts are securely fastened after assembly. In any case, check the attachment periodically. Mount so that no vibrations or shocks occur.
- 2) If the supports have been subjected to impact caused by moving vehicles or other factors, make sure the article have remained intact, still properly fixed, and that its operation has not been compromised in any way.

Article No.	C (mm)	C1 (mm)	D (mm)	H (mm)	H1 (mm)	M	Load (KG)**
-------------	-----------	------------	-----------	-----------	------------	---	----------------

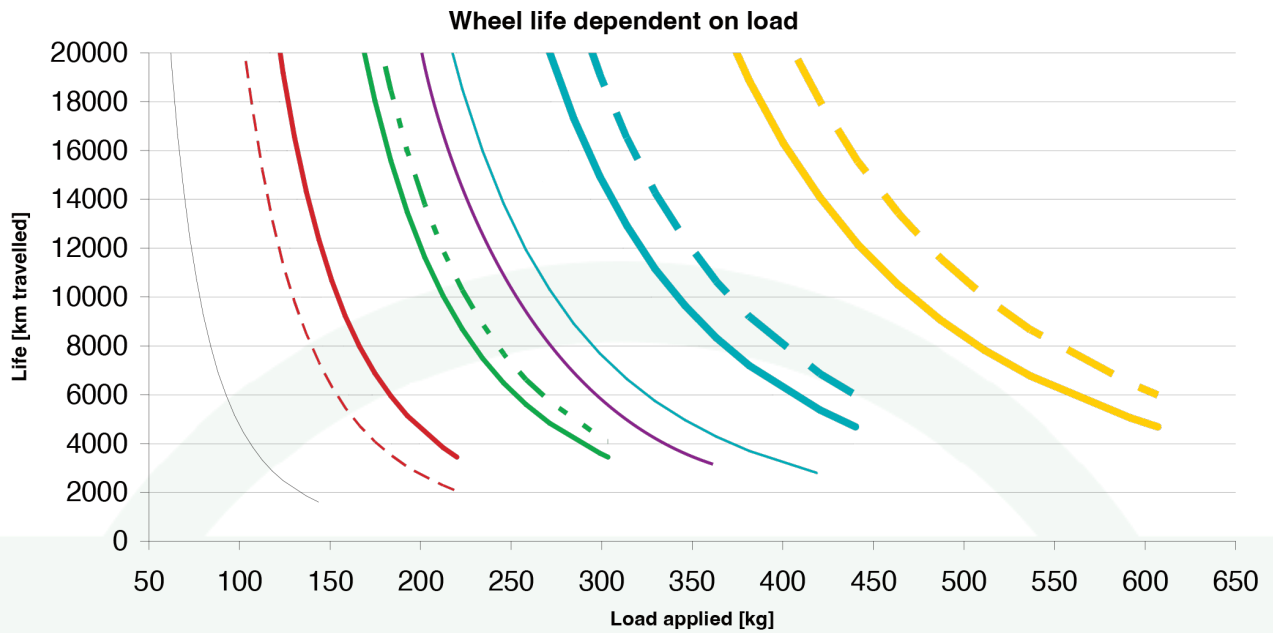
KW-5330/P	20	6	Ø25	71.5	39	M8	100
KW-5330/N	29	9.5	Ø38	124	68	M12	250
KW-5330/M	22	11	Ø44	124	68	M12	300
KW-5330/L	31	11	Ø54	167	87	M20	450

Maintenance Frequency		
Low Use <25 Operations/Day	Average Use <50 Operations/Day	High Use >50 Operations/Day
1 Year*	1 Year*	6 Months*
Check wheel wear; Check fixing of load.		
*This scheme refers to a normal workplace (not marine or particularly aggressive environments).		
**Above mentioned loading capacity is calculated on pair basis.		

**IMPORTANT:** The manufacturer reserves the right to modify the characteristics of the article as required without notice. The manufacturer declines any liability for even partial modifications to the article, and the declared performance values are valid only if the installation procedures are carried out by qualified personnel.

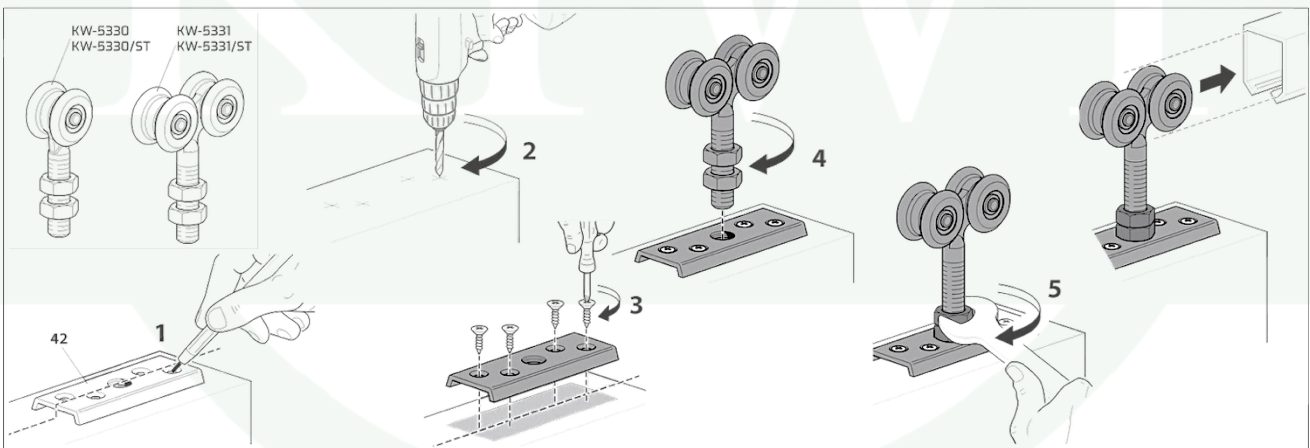
# KW-5330

## 2-Wheel Top Trolley for Hanging Gates



- KW-5330/P  
KW-5330/ST/P
- KW-5331/P  
KW-5331/ST/P
- KW-5330/N
- KW-5330/ST/N  
KW-5330/M
- KW-5330/ST/M
- KW-5330/L
- KW-5330/ST/L  
KW-5331/N
- KW-5331/ST/N  
KW-5331/M
- KW-5331/ST/M
- KW-5331/L
- KW-5331/ST/L

### Installation with Fixing Plate:



### Installation without Fixing Plate:

