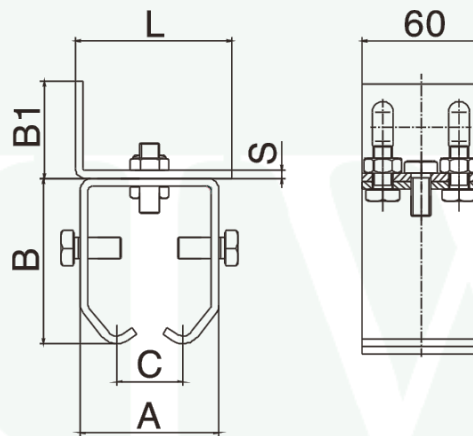


Description:

The Wall Support Bracket is a structural mounting component designed to securely fix the top rail of a hanging sliding gate system directly to a vertical wall or structural column. It provides strong lateral support, precise track alignment, and vibration-free stability, ensuring smooth and reliable operation of the hanging gate over long service life.



FIXING: To be fixed to wall / structural column by anchor bolts / expansion bolts (not provided)

MATERIAL: Electrogalvanized Steel.

PARTS SUBJECT TO WEAR: Contact surface with top rail.

FEATURES:

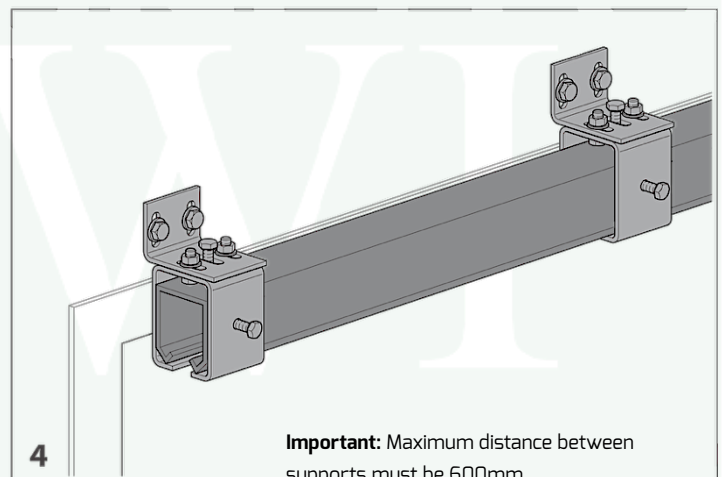
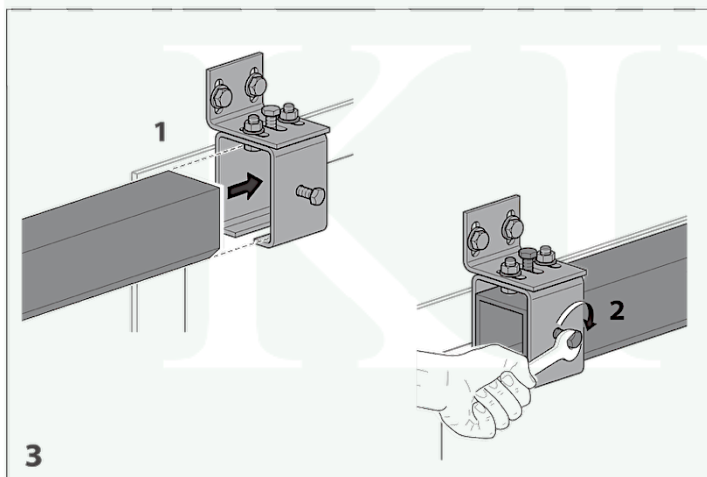
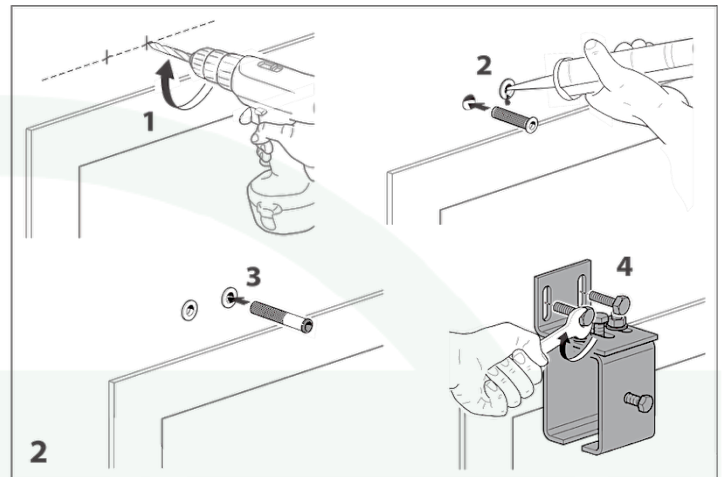
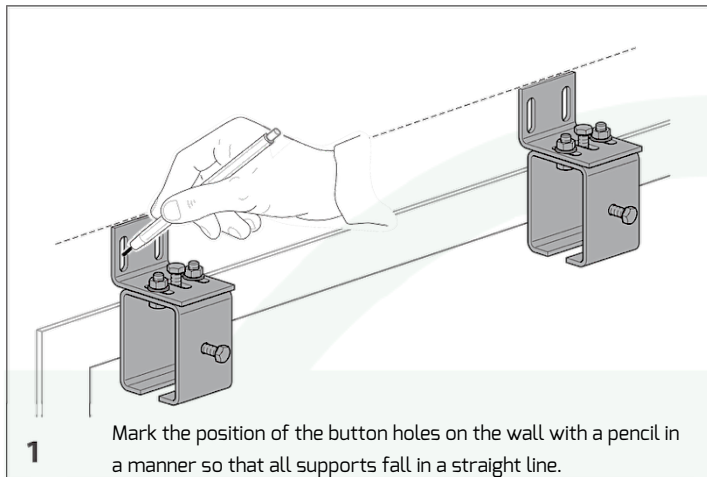
- Used when the track cannot be ceiling-mounted – ideal for side-mounted installations, boundary walls, or steel column supports
- Pre-drilled slots for easy installation and alignment.
- Increased thickness to withstand heavy-duty industrial gates.
- Corrosion-resistant finish (Zinc / Galvanized)
- Compatible with top rail (KW-5339 Top Rail Series)

MAINTENANCE: To keep this article in optimum efficiency and safety is enough:

- 1) Ensure that the nuts are securely fastened after assembly. In any case, check the attachment periodically. Mount so that no vibrations or shocks occur.
- 2) If the supports have been subjected to impact caused by moving vehicles or other factors, make sure the article have remained intact, still properly fixed, and that its operation has not been compromised in any way.

Article No.	A (mm)	B (mm)	B1 (mm)	C (mm)	S (mm)	L (mm)
KW-5329/P	46	50	50	20	4	60
KW-5329/N	62	64	50	29	4	70
KW-5329/M	55	70	50	22	4	70
KW-5329/L	72	85	50	34	4	80

Maintenance Frequency		
Low Use <25 Operations/Day 1 Year*	Average Use <50 Operations/Day 1 Year*	High Use >50 Operations/Day 6 Months*
Check fixing to ceiling.		
*This scheme refers to a normal workplace (not marine or particularly aggressive environments).		



IMPORTANT: The manufacturer reserves the right to modify the characteristics of the article as required without notice. The manufacturer declines any liability for even partial modifications to the article, and the declared performance values are valid only if the installation procedures are carried out by qualified personnel.