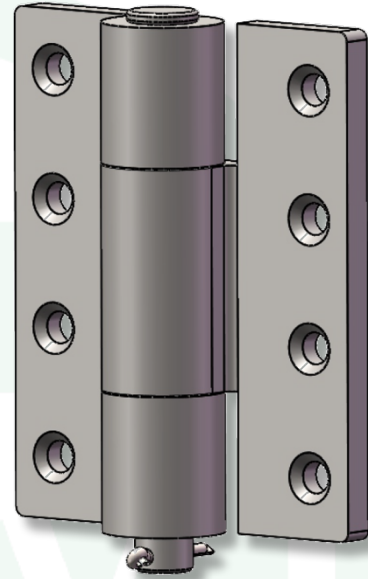
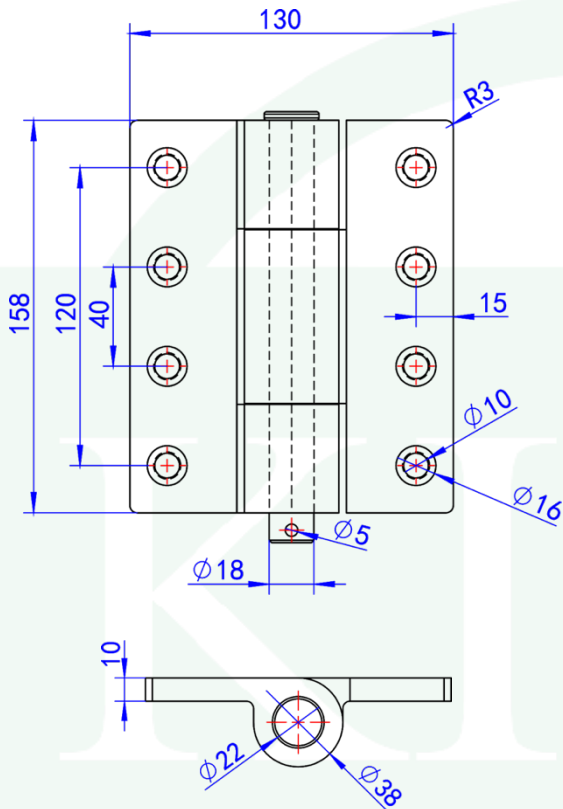


KW-1158130100SS

Heavy Duty Hinge – Stainless Steel

Description:

Heavy Duty Hinges, Solid Casting Stainless Steel Grade 304, Lift-off Type with Security Fixing.



Specification	Detail	Specification	Detail
Product Type	Heavy-Duty Hinge	Cotter Pin Width	4.5mm
Model Number	KW-1158130100SS	Security Fixing	Allen Socket Head Screw; M8 x 40mm (SS304)
Material	Casting Solid Stainless Steel (304)	Recommended Door Weight	Up to 900 Kgs (using 3 hinges per door)
Finish	Satin Stainless Steel (SSS)	Application	Heavy-Duty Doors, Security and Industrial use
Overall Size	158mm(H) x 130mm(W) x 10mm(T)	Hinge Type	Lift-off type with secure fixing
Pin Diameter	Ø 18mm	Corrosion Resistance	High (SS304 material)

Note: Designed for high-performance, oversized, or armored doors.

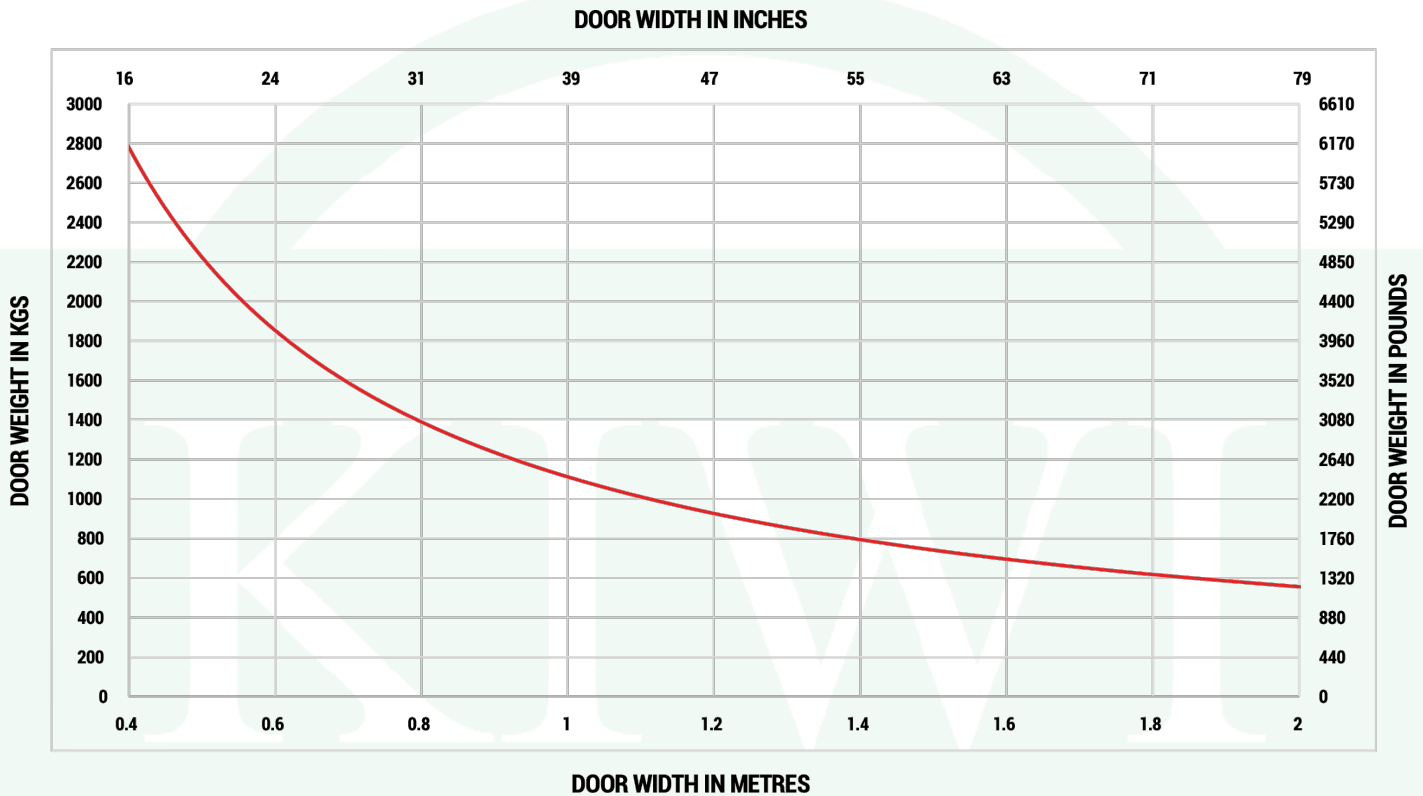
Ideal for commercial, industrial, or institutional application.

KW-1158130100SS

Heavy Duty Hinge – Stainless Steel

Loading Chart

The following chart is a guide for maximum door sizes and weights with a door height of 2.2 meters (7.218') using three hinges.



Fixing Detail

